

NOTICE TO MARINERS

Issue Date: 17th March, 2014

Western HVDC Link Project - Shallow water cables installation in Liverpool bay

Mariners are advised that a cable laying vessel and burial equipment will install the shallow water section of the Western HVDC Link Project in the Liverpool Bay from the Wirral shore end for about 36km, starting around the 5th of May 2014 with expected completion by June 2014.

The Laying and Burial operations work will be carried out by **Assodivers** using **Atalanti** (IMO 8661616; Call Sign 5BYY2) cable lay barge and support tug **Artemis** (IMO 8321591, Call Sign 5BVJ3)

During such times the vessels will have restricted ability to manoeuvre and other vessels are requested to pass at a safe speed and distance.

The vessel will monitor VHF Channel 16 at all times.



Atalanti



Artemis

Project Description

The Western HVDC Link Project consists of installing two 600 kV DC submarine cables in the Irish Sea from Ardneil (Scotland) to Wirral (England) for a total route length of about 385 km (Figure 3). The cables will usually be laid as two separate cables approximately 30 metres apart.

The first 36km of bundled cables (this operation) will be installed in the Liverpool Bay from the Wirral shore end for about 36km with the following sequence of operations:

PLGR (Pre Lay Grapnel Run)

Artemis will execute a PLGR operation in a single pass, along the planned installation route in advance of the cable installation operations.

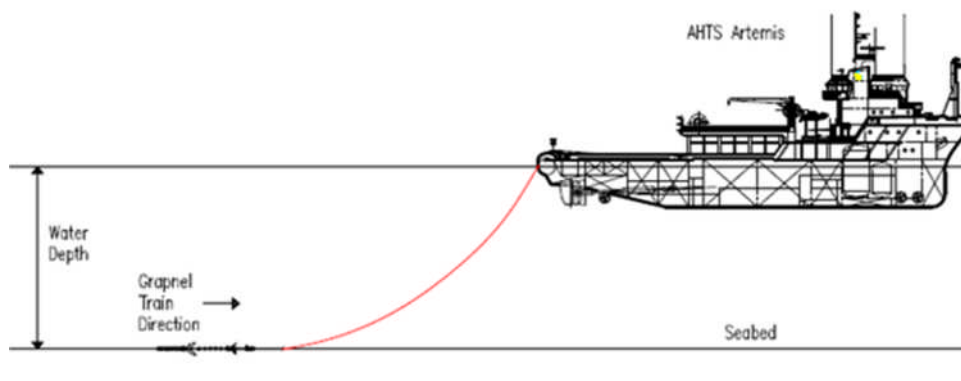


Figure 1 – Typical PLGR arrangement

Pre- Lay Survey

In conjunction with the PLGR operation cable lay barge Atalanti will perform an ROV Pre-Lay survey along the installation route.

Landing Operations

On completion of the pre-lay survey, Atalanti will move towards the shore of Wirral landing point at a position of circa 700m from the HDD conduits, which are located approximately 400m seaward of the seawall at Leasowe.

When the vessel is safely grounded cables landing operation will be performed with the assistance of a support barge (Wilcarry 501)

| Position Name | WGS84 | | Geodetic |
|---------------------------------|--------------|---------------|----------|
| | Latitude | Latitude | KP(km) |
| HDD Exit | 53° 25.022'N | 003° 07.900'W | 386.591 |
| CLB Atalanti Grounding Position | 53° 26.001'N | 003° 08.054'W | 384.768 |

Table 1 – HDD conduits exit and Atalanti grounding position coordinates

Cable Installation

Upon completion of all landing operations, cable lay barge Atalanti, using the towed burial machine hydro plough, will start the cable lay and burial activities along the planned route

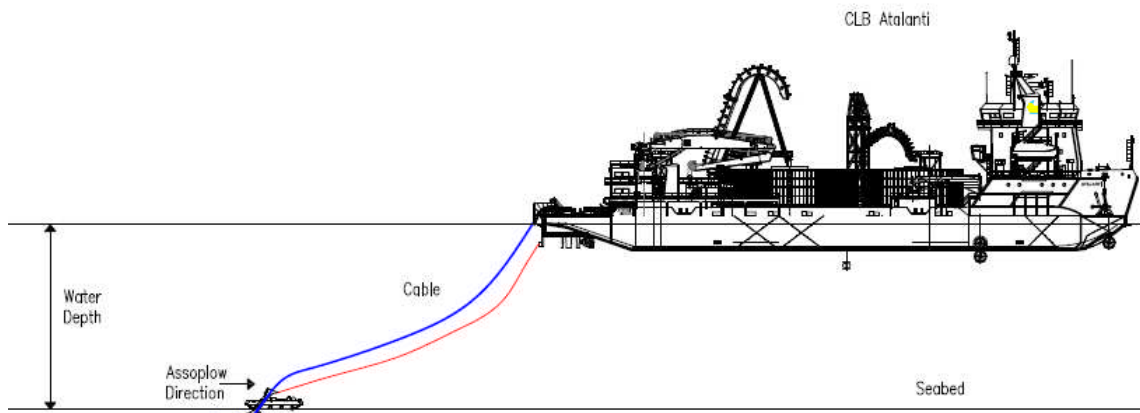
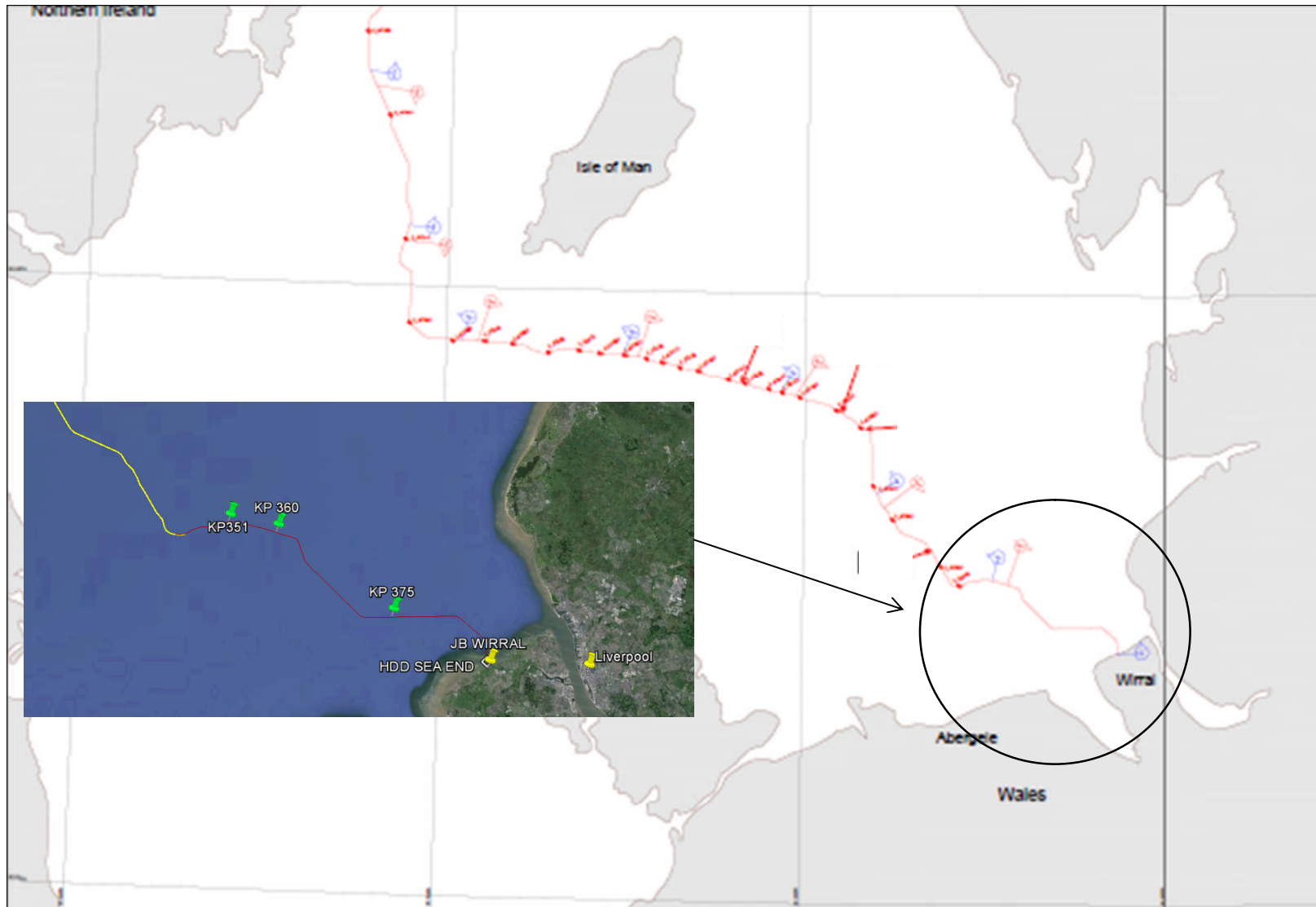


Figure 2 – Typical Lay and Burial arrangement

Figure 3 – Western Link cable route and Liverpool bay Shallow Water installation section



APPENDIX 1

Table 1 – Liverpool bay Shallow Water installation section route

| ID | UTM 30 N | | WGS84 | | Depth LAT (m) | Partial Distance (km) | Geodetic | | Bearing (deg) | Turning Angle (deg) |
|-------|----------|----------|--------------|---------------|---------------------|-----------------------|----------|----------|------------------|------------------------|
| | Easting | Northing | Latitude | Longitude | | | KP (km) | RKP (km) | | |
| AC566 | 491082 | 5920487 | 53° 26.001'N | 003° 08.054'W | -1 | 0.398 | 384.768 | 2.423 | 156.9 | 17.8 |
| AC565 | 490927 | 5920853 | 53° 26.198'N | 003° 08.195'W | 1 | 0.444 | 384.370 | 2.821 | 138.2 | 18.7 |
| AC564 | 490631 | 5921184 | 53° 26.376'N | 003° 08.462'W | 1 | 2.561 | 383.926 | 3.265 | 130.2 | 8.0 |
| AC563 | 488681 | 5922843 | 53° 27.269'N | 003° 10.227'W | 7 | 0.444 | 381.365 | 5.827 | 110.0 | 20.2 |
| AC562 | 488265 | 5922996 | 53° 27.351'N | 003° 10.604'W | 7 | 0.655 | 380.921 | 6.270 | 89.7 | 20.3 |
| AC561 | 487610 | 5922994 | 53° 27.349'N | 003° 11.195'W | 7 | 2.779 | 380.267 | 6.925 | 88.9 | 0.8 |
| 10m | 484833 | 5922949 | 53° 27.320'N | 003° 13.705'W | 10 | 5.129 | 377.488 | 9.704 | 88.8 | 0.1 |
| AC560 | 479707 | 5922866 | 53° 27.265'N | 003° 18.336'W | 14 | 0.250 | 372.359 | 14.833 | 105.3 | 16.5 |
| AC559 | 479466 | 5922933 | 53° 27.300'N | 003° 18.554'W | 14 | 0.316 | 372.109 | 15.083 | 115.1 | 9.8 |
| AC558 | 479180 | 5923068 | 53° 27.373'N | 003° 18.813'W | 14 | 6.848 | 371.793 | 15.399 | 133.9 | 18.8 |
| AC557 | 474273 | 5927840 | 53° 29.933'N | 003° 23.271'W | 15 | 0.539 | 364.945 | 22.246 | 141.4 | 7.5 |
| AC556 | 473939 | 5928263 | 53° 30.160'N | 003° 23.575'W | 18 | 0.985 | 364.406 | 22.785 | 160.9 | 19.5 |
| AC555 | 473622 | 5929194 | 53° 30.662'N | 003° 23.866'W | 19 | 0.896 | 363.422 | 23.770 | 161.3 | 0.5 |
| AC554 | 473340 | 5930045 | 53° 31.119'N | 003° 24.125'W | 17 | 0.312 | 362.525 | 24.666 | 143.0 | 18.3 |
| AC553 | 473154 | 5930295 | 53° 31.254'N | 003° 24.295'W | 18 | 0.263 | 362.214 | 24.978 | 123.5 | 19.5 |
| AC552 | 472936 | 5930441 | 53° 31.332'N | 003° 24.493'W | 19 | 1.171 | 361.951 | 25.240 | 103.9 | 19.6 |

| | | | | | | | | | | |
|----------------------|--------|---------|--------------|---------------|----|-------|---------|--------|-------|------|
| AC551 | 471802 | 5930730 | 53° 31.484'N | 003° 25.521'W | 22 | 1.503 | 360.780 | 26.411 | 108.3 | 4.4 |
| AC550 | 470378 | 5931211 | 53° 31.739'N | 003° 26.812'W | 23 | 2.970 | 359.277 | 27.915 | 103.9 | 4.4 |
| AC549 | 467501 | 5931943 | 53° 32.124'N | 003° 29.421'W | 26 | 0.916 | 356.307 | 30.885 | 89.3 | 14.6 |
| AC548 | 466586 | 5931939 | 53° 32.118'N | 003° 30.250'W | 26 | 1.684 | 355.391 | 31.801 | 75.0 | 14.3 |
| AC547 | 464956 | 5931516 | 53° 31.883'N | 003° 31.722'W | 27 | 0.591 | 353.707 | 33.485 | 86.2 | 11.2 |
| Wales/England waters | 464366 | 5931481 | 53° 31.862'N | 003° 32.256'W | 28 | 0.315 | 353.115 | 34.076 | 86.2 | 0.0 |
| AC546 | 464052 | 5931463 | 53° 31.851'N | 003° 32.540'W | 27 | 0.747 | 352.801 | 34.391 | 75.1 | 11.1 |
| AC545 | 463329 | 5931276 | 53° 31.747'N | 003° 33.193'W | 29 | 0.887 | 352.053 | 35.138 | 60.0 | 15.1 |
| AC544 | 462558 | 5930838 | 53° 31.508'N | 003° 33.888'W | 29 | 0.175 | 351.166 | 36.025 | 78.9 | 19.0 |
| AC543 | 462386 | 5930806 | 53° 31.490'N | 003° 34.043'W | 29 | 0.060 | 350.992 | 36.200 | 64.4 | 14.5 |

Contact Details:

Further enquiries should be addressed to the following contacts:

| | |
|--------------------------|---|
| AWJ Marine | Jim Andrew <i>(who will also coordinate the Fisheries liaison for this operation)</i> jim@awjmarine.co.uk Office: +44 (0) 845-880-2540, Mobile: +44 (0) 7908-225865, |
| Prysmian Project Manager | Alberto Pirovano alberto.pirovano@prysmiangroup.com Office: +39 02 6449 33590 Mobile: +39 335 5962819 |
| ASDG Project Manager | Emmanuel CONSTANTINAKIS econstantinakis@assodivers.gr +30-6946065766 |
| ASDG Offshore Manager | Aggelos Tziotakis agtziotakis@assodivers.gr +30-6946980478 |
| Master of Atalanti | atalanti@assodivers.gr +30-6958469697 +870-773140059 |
| Master of Artemis | artemis@assodivers.gr +30 694 0902941 +870 773167770 |

Distribution List:

natkinson@abports.co.uk
barrowmc@abports.co.uk
nridehalgh@abports.co.uk
alasdair.wilkie@hiberniaatlantic.com
jon.ford@cw.com
paul.o'rourke@eirgrid.com
keith.3.brooks@bt.com
maurice.smith@esbi.com
emmet.mcfadden@mutual-energy.com
mdurcan@bge.ie
daniel.longhurst@bhpbilliton.com
marine.team@bt.com
peter.jamieson@virginmedia.co.uk
ron.bailey@clydeport.co.uk
dtd@cumbriasfc.fsnet.co.uk
nkelly@doehle-iom.com
xmrob@dongenergy.dk
walneytraffic@dongenergy.dk
lykup@dongenergy.co.uk
stliv@dongenergy.co.uk
ianre@dongenergy.co.uk
vanoc@dongenergy.co.uk
abat@eircom.net
peter.hodgetts@thecrownstate.co.uk
hq@stratmarine.com
helen.elphick@thecrownstate.co.uk
portcontrol@stenaline.com
holyheadcoastguard@mcga.gov.uk
wm_holyhead@mcga.gov.uk
christopherkeogh@transport.ie
andrew.sheen@irishferries.com
d.obrien@cil.ie
chris.clark@gov.im
marine.operations.centre@gov.im
michael.brew@gov.im
mark.woodward@steampacket.com
kingfisher@seafish.co.uk
liverpool_mo@mcga.gov.uk
colin.brown@mcga.gov.uk
mail@liverpoolmarina.com
annette.stube@maersk.com
kenneth.poole@cemex.com
Joyce.johnson@mcga.gov.uk
Wm_liverpool@mcga.gov.uk
doe.iemonitoring@doeni.gov.uk
enquiries@drdni.gov.uk
information@detini.gov.uk
bryan.davies@heyshamport.com
steve.gallimore@merseydocks.co.uk
vts.portoperations@merseydocks.co.uk
will.calderbank@portofmostyn.com
ian@dickies.co.uk
tony@ramsey-steamship.com
scalden@dsml.co.uk
sprince@dsml.co.uk
caroline.price@rya.org.uk, ,
erecra@talktalk.net
michael.moore9@btinternet.com
alana.murphy@rya.org.uk
stuart.carruthers@rya.org.uk
dlw@seatruckgroup.co.uk
EnergyConsents@scotland.gsi.gov.uk
econsentsadmin@scotland.gsi.gov.uk
s.alexander@sff.co.uk
n.lauder@sff.co.uk
john.bateman@shell.com
wyn.parry@stenaline.com
osbornted@aol.com
jonwarren@merseywharf.co.uk
navigation.directorate@thls.org
keith.tatman@mcga.gov.uk
andre.coccucio@mcga.gov.uk
colin.brown@mcga.gov.uk
alec.keep@mcga.gov.uk
paul.townsend@mcga.gov.uk
hdcf@ukho.gov.uk
hdcfiles@ukho.gov.uk
admin@welshsailing.org
wag-en@mailuk.custhelp.com
info@whitehavenhc.org.uk
DeshWebCorrespondence@Wales.GSI.Gov.UK
DEandT@wales.gsi.gov.uk
businessdevelopmentdepartment3@wales.gsi.gov.uk
robert.floyd@wales.gsi.gov.uk
fisheries@wales.gsi.gov.uk
bdeas@nffo.org.uk
dale.rodmeil@nffo.org.uk
b.armstrong@sff.co.uk

Stevie.travis@mcga.gov.uk
Alec.keep@mcga.gov.uk
info@m-h-a.co.uk
MS.marinelicensing@scotland.gsi.gov.uk
danny.everitt@mscuk.com
blackpool@marinemanagement.org.uk
neil.wellum@marinemanagement.org.uk
Alan.Gibson@marinemanagement.org.uk
s.atkins@nw-ifca.gov.uk
navigation@nlb.org.uk
navigation@nlb.org.uk
Fleet.Operations@POferries.com
info@clydeport.co.uk
info@rnli.org.uk
iomfishermen@manx.net
Charlie.Mawer@clydeport.co.uk
jim@awjmarine.co.uk
norman.leece@mezeron.com
info@mezeron.com
'nwplanning@naturalengland.org.uk'
hdcfiles@ukho.gov.uk
clive.lane@mcga.gov.uk
WM.clyde@mcga.gov.uk
wm.holyhead@mcga.gov.uk
Kevin.Best@BHPBilliton.com
Shaun.Breton@landandmarine.com
vanoc@dongenergy.co.uk

sff@sff.co.uk
CETI@Centrica.com
david.crowther@centrica.com
jim@awjmarine.co.uk
gedherby@wirral.gov.uk
josephanik@wirral.gov.uk
johnentwistle@wirral.gov.uk
markthomas@wirral.gov.uk
jmichel@north-ayrshire.gov.uk
clyde.coastguard@mcga.gov.uk
freighthelp@poferries.com
info.uk@stenaline.com
crousing@rya.co.uk
info@mezeron.com
Ron.Bailey@clydeport.co.uk
Michael.Brew@gov.im
iomfishermen@manx.net
hannah.birtles@naturalengland.org.uk
'claire.storey@naturalengland.org.uk'
hdcfiles@ukho.gov.uk
graeme.proctor@mcga.gov.uk
wm.liverpool@mcga.gov.uk
WM.Belfast@mcga.gov.uk
Robert.Whiteley@naturalengland.org.uk
Steve.Goodwin@landandmarine.com
Dan.Rees@landandmarine.com
STLIV@dongenergy.co.uk